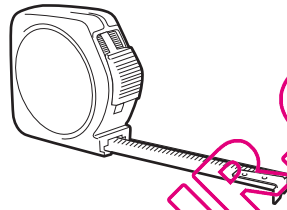
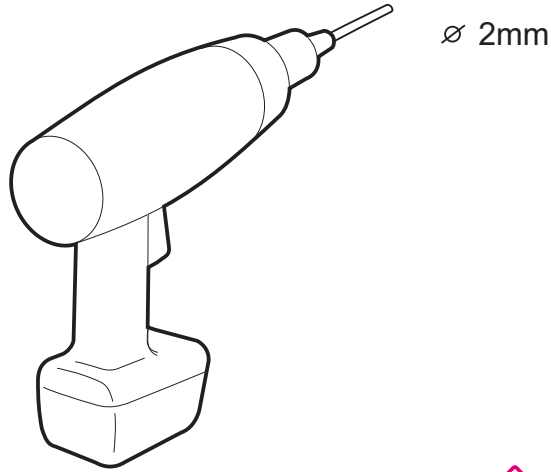
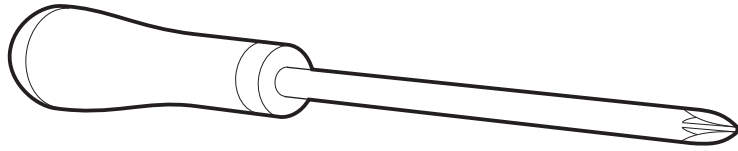


QUELFOR.COM



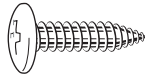
QUELF-FOUR.COM

A



1x

B



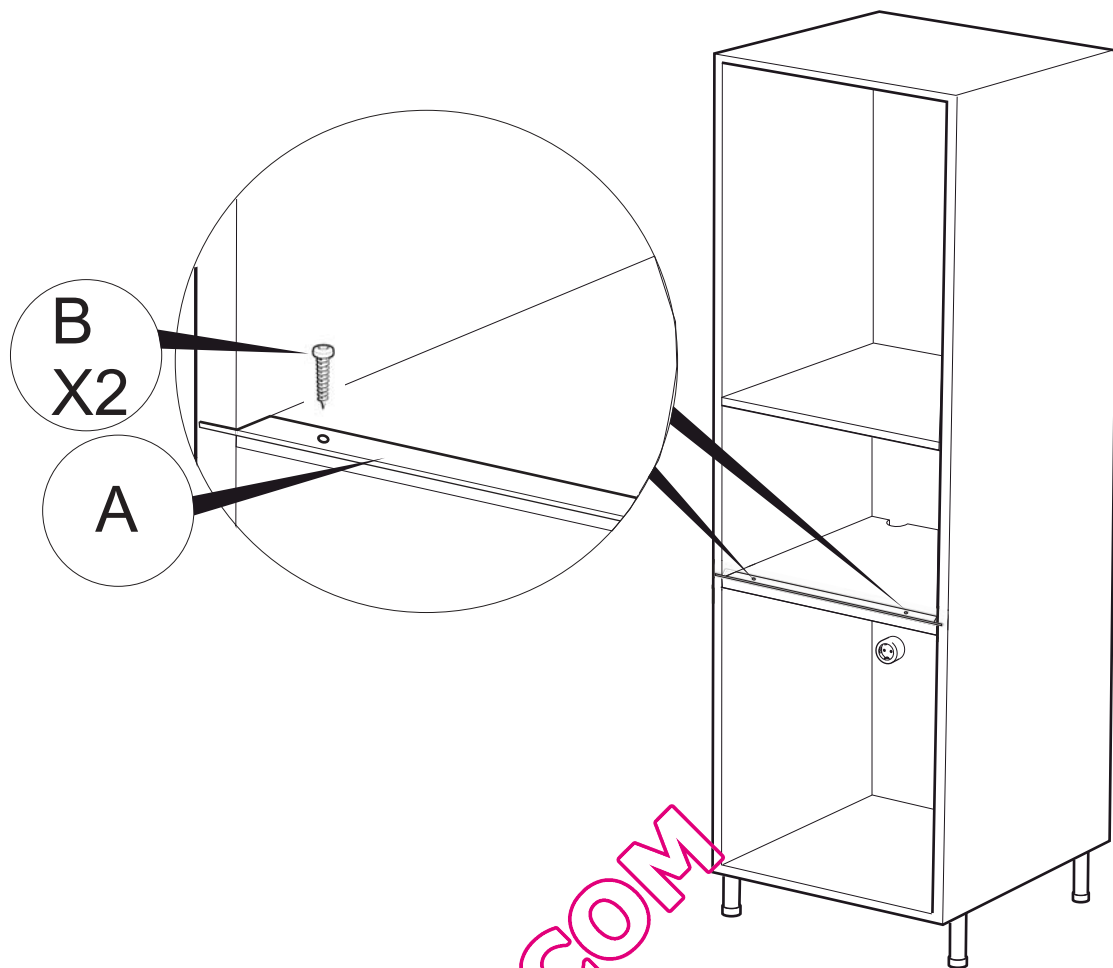
X 2

C

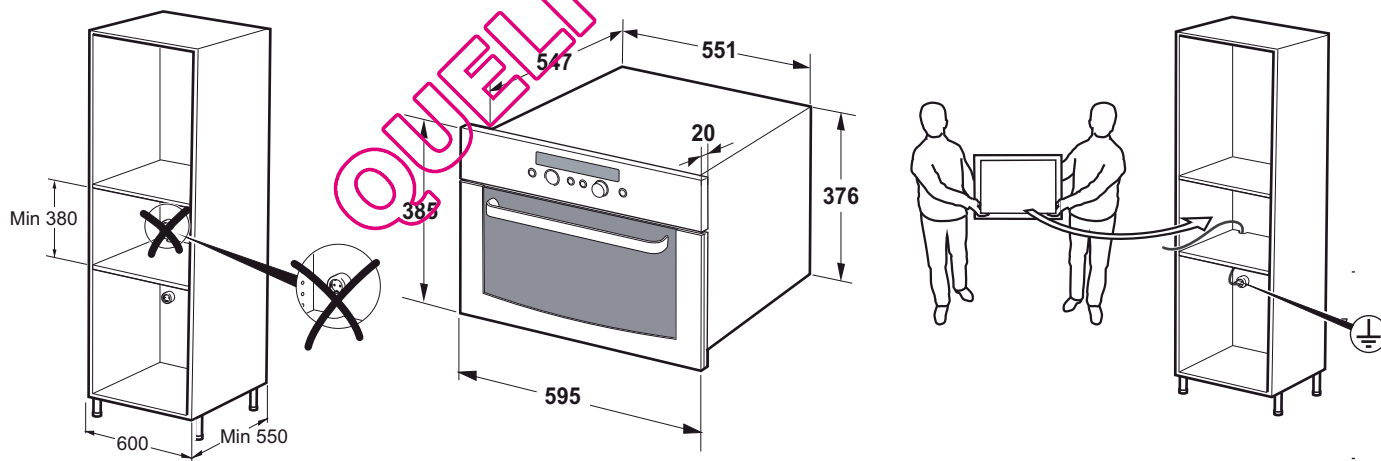


X 2

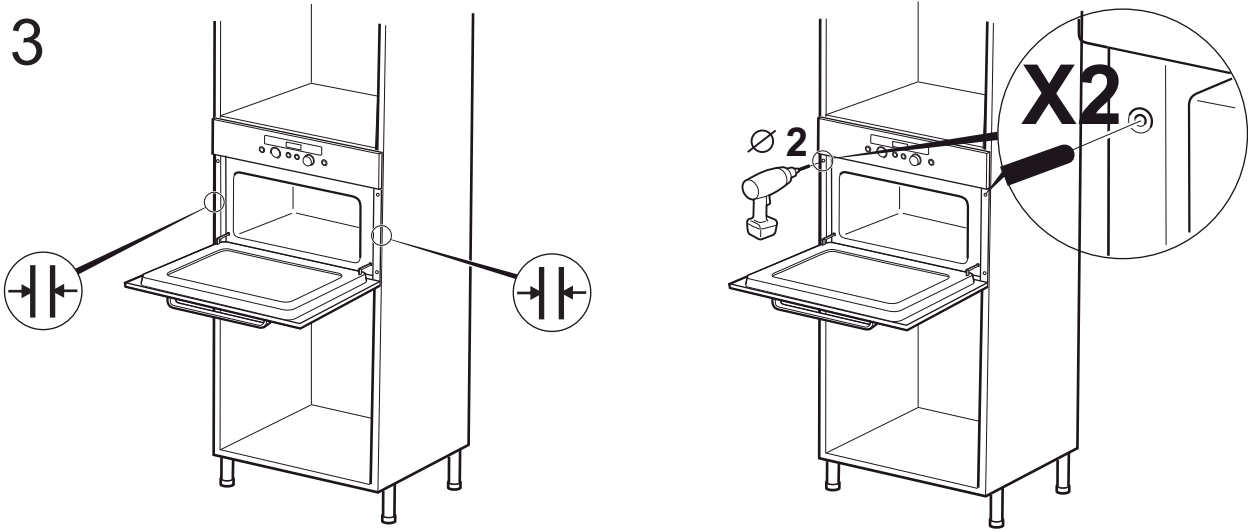
1



2



3



4

